

Compact HR3500/4000/4200



Model	HR3500 Jaguar	HR4000 Thor	HR4200 Thor
VESSEL LENGTH	14–20m 45–65ft	18–24m 58–77ft	18–25m 58–80ft
POWER SUPPLY (DC)	12/24V	24V	24V
MOTOR (Watts)	1500	1500	2000
HYDRAULIC PRESSURE	10MPa 1450PSI	12MPa 1750PSI (max)	12MPa 1750PSI (max)
HYDRAULIC FLOW	28L/min 7.5gal/min	28L/min 7.5gal/min	28L/min 7.5gal/min
MAX LOAD	1590kg 3500lb	1818kg 4000lb	2045kg 4500lb
WORK LOAD	400kg 800lb	454kg 1000lb	500kg 1100lb
AMPS WORK LOAD	185/90	90	110
MAX LINE SPEED	15m/min 48ft/min	13.5m/min 44ft/min	13.5m/min 44ft/min
CHAIN SIZE	8mm (5/16") 10mm (3/8") 13mm (1/2")	10mm (3/8") 13mm (1/2") 16mm (5/8")	10mm (3/8") 13mm (1/2") 16mm (5/8")
NET WEIGHT	DC 58kg DC 128lb HYD 57kg HYD 125lb	DC64kg DC 140lb HYD63kg HYD 139lb	DC64kg DC 140lb HYD63kg HYD 139lb
MANUAL OPERATION	MORS (std)	MORS (std)	MORS (std)

Note: Rope can also be used but is not recommended for larger vessels.

Features

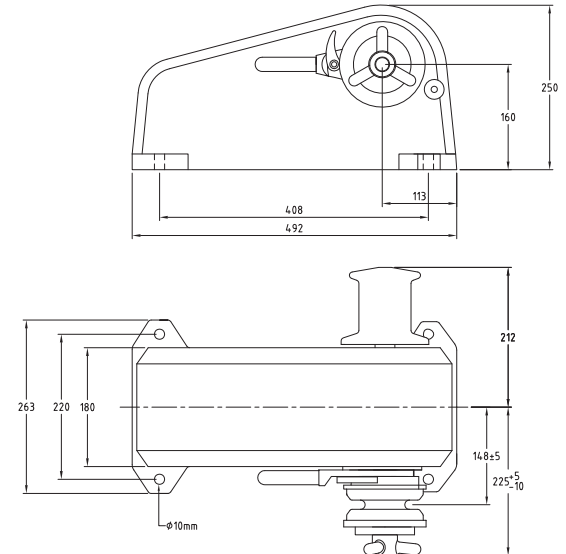
- Chain only
- Manual Override System (MORS)
- Gypsy lock/pawl
- Cleat on housing
- Heavy duty dual direction motor in 12 & 24V DC, Hydraulic
- Durable marine grade white gloss finish alloy housing
- Fully enclosed motor & gearbox
- Independent gypsy and capstan operation
- Luxury chromed marine grade bronze / 316 Stainless steel running gear
- Stainless steel drive shaft
- Cone clutch/brake
- Shaft seal
- Clutch release handle
- Installation/Operation booklet
- Chain pipe & peeler



Options

- Twin gypsy, twin capstan
- Housing without cleat
- Traditional polished bronze finish on running gear
- Full range of accessories including chain, rope, chain pipes, chain stoppers, snubber kits & devil claws
- Electric & hydraulic operating options & accessories
- Auto anchor-chain counter.

HR3500 Jaguar



HR4000/4200 Thor

